

## Specification of: RDA 31-2531-EC

### Centrifugal Roof Fan Nicotra Gebhardt genovent

with swirl free vertically directed discharge for gas medium up to app. +40 °C. Stylish sealed casing manufactured from aluminium, Base frame of galvanized sheet steel for fitting to upstand, projecting well beyond the upstand in order to increase weatherproofing. Flange connection at intake acc. to DIN 24155-2 Discharge outlets are protected from the weather on fan shutdown by automatic backdraught shutters. Casing parts, and the impeller plus motor, are easily removed for inspection and maintenance. High performance centrifugal impeller with backward curved blades, mounted on the rotor of a variable speed external EC-motor, protected to IP 44, totally maintenance free. Installed with isolator fitted ready to connect. Performance data in according DIN 24166 tolerance class 2 (BS 848 Class "B"). Meets the efficiency requirements of Regulation EU1253/2014 for ventilation units.

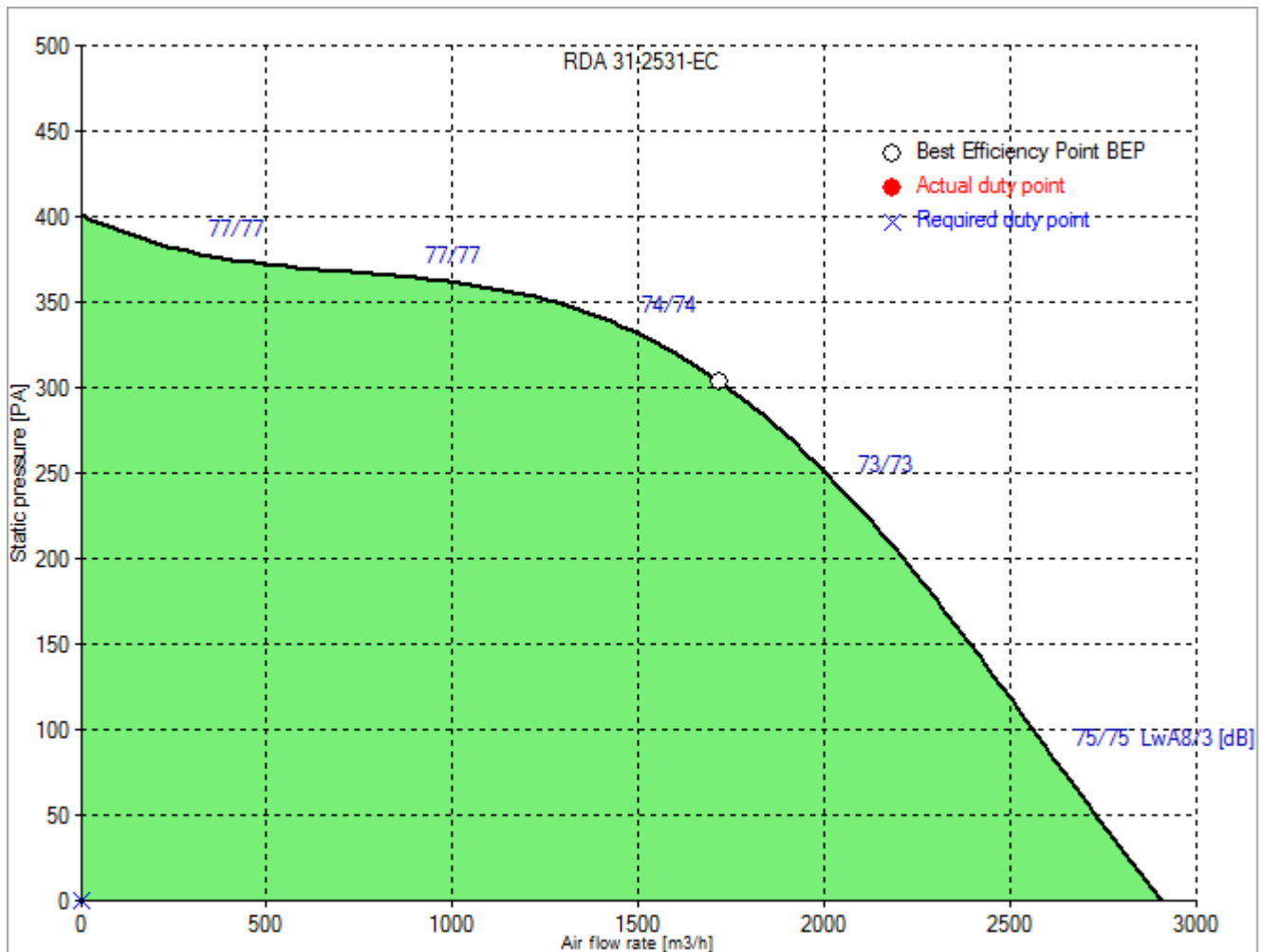


### Technical data of the fan: RDA 31-2531-EC

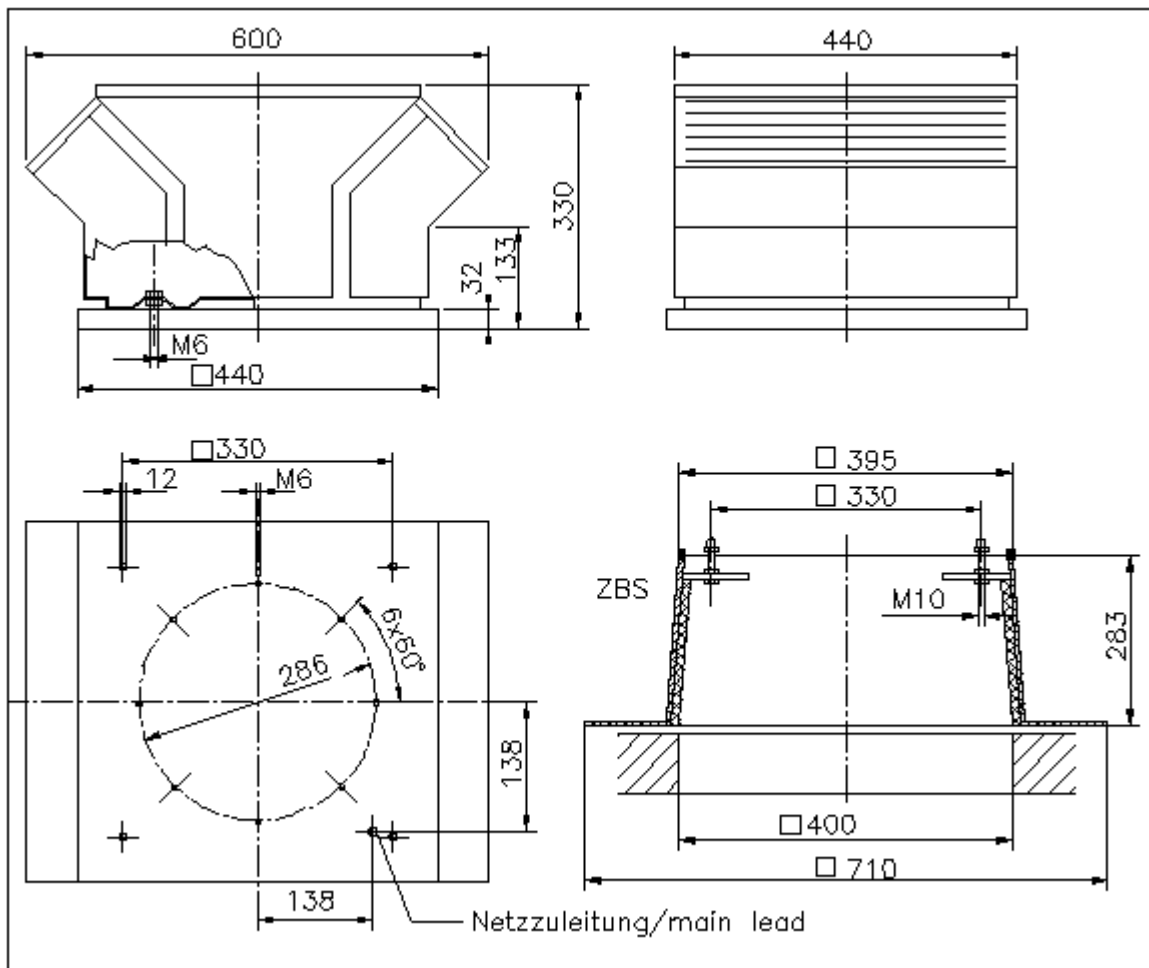
[fulfills the ErP requirements 2018 at BEP](#)

Description	Value Dimension
<b>Specified duty point</b>	
<b>Actual duty point</b>	
Installation acc. DIN 24163 Part 1	A
Reference density ( $\rho_{01}$ )	1.20 kg/m <sup>3</sup>
Medium temperature (t)	20 C
Fan weight	21 kg
<small>This duty point can only be reached by using an inverter/controller for motor speed control!</small>	
<b>Rated data</b>	
Phases-Voltage-Frequency	1~230-50/60 V-Hz
Rated motor speed ( $n_N$ )	1750 min <sup>-1</sup>
Rated motor current ( $I_N$ )	1,5 A
<b>operational limits</b>	
Max. absorbed power ( $P_{1max}$ )	0.33 kW
Max. fan speed ( $n_{vmax}$ )	1750 min <sup>-1</sup>
Temperature range of conveying medium ( $t_{min} \dots t_{max}$ )	-20...40 C

## Fan curve to RDA 31-2531-EC



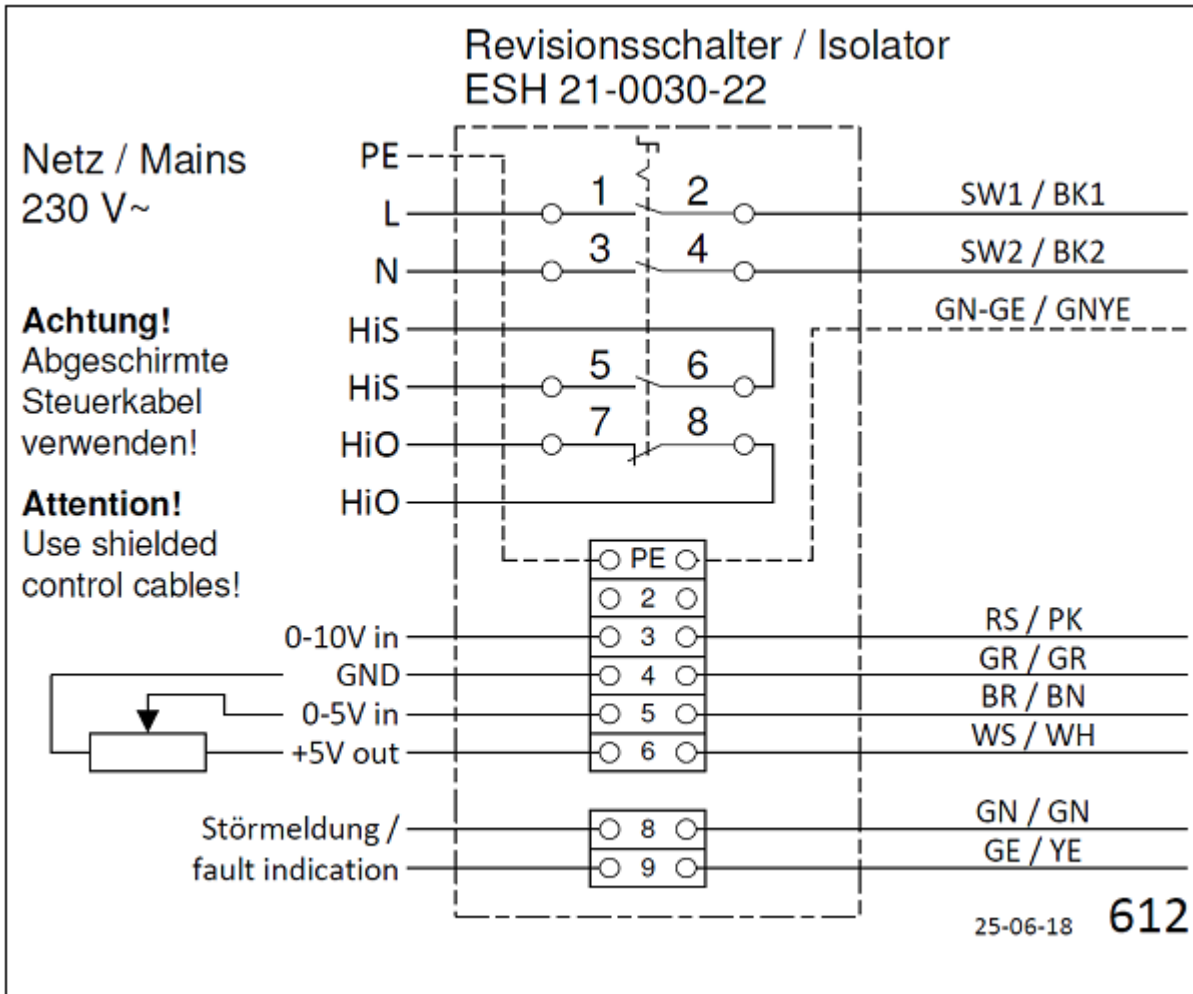
## Dimensions to RDA 31-2531-EC



Rotation:  
Handing:

RD  
90

## Wiring diagram of the fan RDA 31-2531-EC



Wiring diagram for connection to: [mains - service switch & VSD - motor](#)  
Rotation: [RD](#)